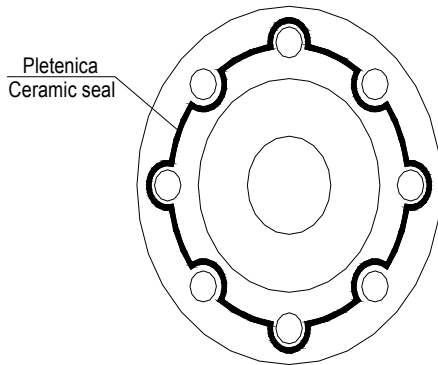
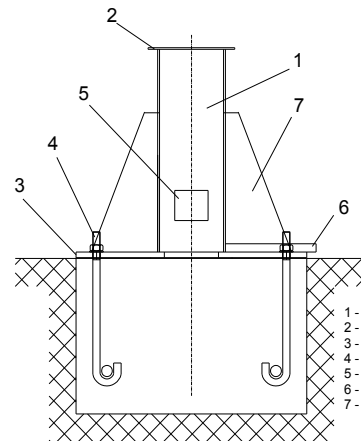
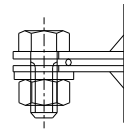


Montaža segmenata dimnjaka u horizontalnom položaju libelom i vagres crevima  
(Chimney segment connection in horizontal position using level)



Spajanje dva segmenta dimnjaka pomoću pletenice  
(connection of two chimney segments using ceramical seal)



- 1 - Prvi segment dimnjaka (first chimney section)
- 2 - Priрубnica (flange)
- 3 - Temeljna ploca (chimney end plate)
- 4 - Anker zavrtanj (anchor bolt)
- 5 - Vrata za ciscenje (cleaning door)
- 6 - Odvod kondenzara (condensate outtake)
- 7 - Ojacanje dimnjaka (chimney ribs)

Montaža dimnjaka  
(Chimney installing)